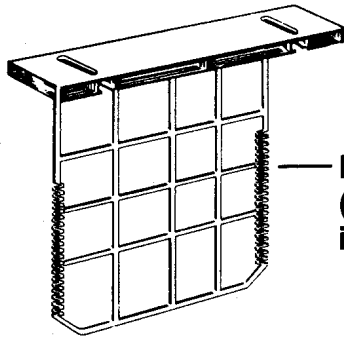
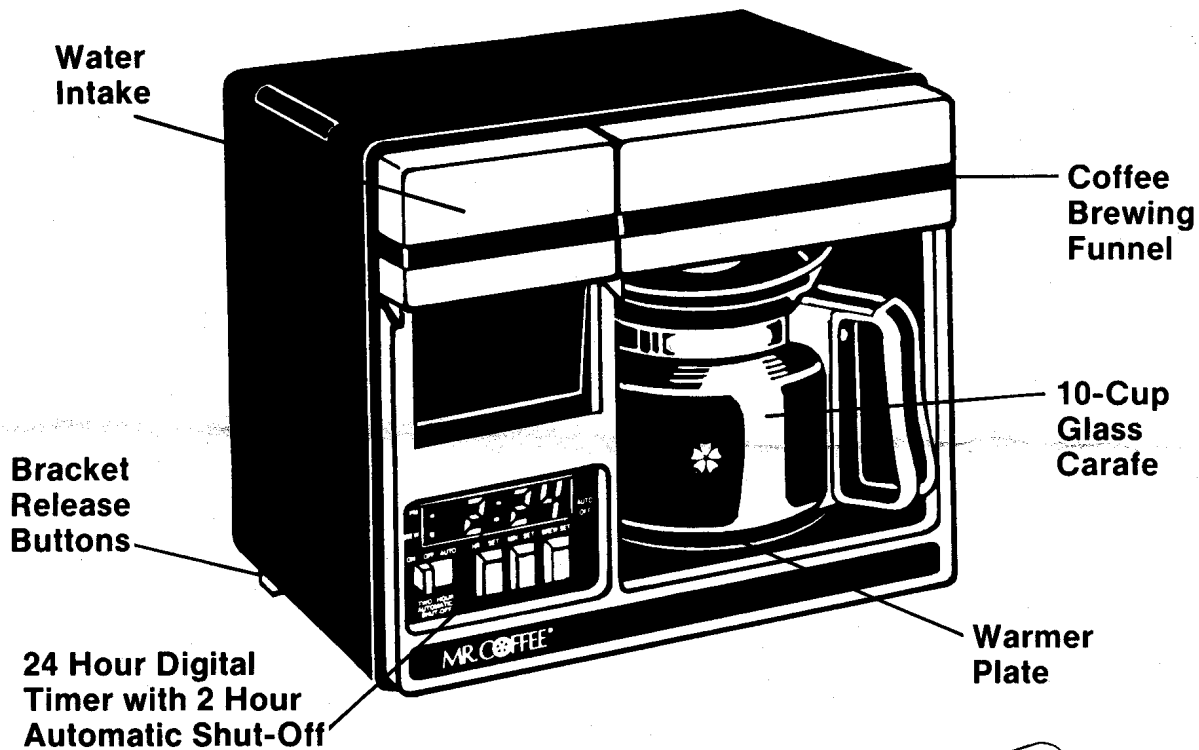
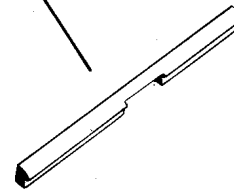


INSTALLATION AND OPERATING INSTRUCTIONS FOR MR. COFFEE COMPACT COFFEEMAKER MODEL UTC 403 SERIES

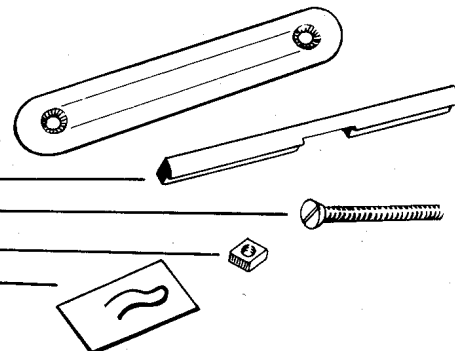


**Mounting Bracket
(for under cabinet
installation)**

**Slot Cover
(for countertop use)**



PART NO.	QTY.	ITEM
2500	2	SUPPORT PLATE
2391	2	SLOT COVER
2501	4	FLAT HEAD SCREW
2502	4	NUT
2503	2	CORD CLIP



For best results
use genuine
Mr. Coffee Filters



FOR HOUSEHOLD USE ONLY

IMPORTANT SAFEGUARDS

When using electrical appliances, basic safety precautions should always be followed to reduce the risk of fire, electric shock, and/or injury to persons, including the following:

1. **Read all instructions before using the machine.**
2. **For Under-Cabinet Coffeemakers:**
 - A. To reduce the risk of fire or electric shock, do **not** place any electric or gas-heating appliance beneath the coffeemaker.
 - B. To reduce the risk of fire, do not mount unit over or near any portion of a heating or cooking appliance.
3. Do not touch hot surfaces. Use handles or knobs. **See detailed instructions regarding precautions.**
4. To protect against electrical hazards, do not immerse cord, plugs, or machine in water or other liquid.
5. Close supervision is necessary when any appliance is used by or near children.
6. Turn control knob OFF and unplug from outlet when not in use and before cleaning. Allow to cool before putting on or taking off parts, and before cleaning the appliance.
7. Do not operate any appliance with a damaged cord or plug or after the appliance malfunctions, or has been damaged in any manner. Return this appliance only to the nearest authorized service center for repair.
8. The use of accessory attachments not recommended by the appliance manufacturer may cause hazards or injuries.
9. Do not use outdoors.
10. Do not let cord hang over edge of table or counter, or touch hot surfaces.
11. Do not place this appliance on or near a hot gas or electric burner or in a heated oven.
12. To disconnect, turn any control to "off", then remove plug from wall outlet.
13. Do not use appliance for other than intended use.
14. Use on a hard, flat level surface only, to avoid interruption of air flow underneath the appliance.
15. **Decanter Use and Care**

Breakage may occur if the following instructions are not followed:

 - A. This decanter is designed for use with your Mr. Coffee coffeemaker and therefore must never be used on a range top or in any oven, including a microwave.
 - B Do not set a hot decanter on a wet or cold surface.
 - C Do not use a cracked decanter or a decanter having a loose or weakened handle.
 - D: Do not clean the decanter with cleansers, steel wool pads, or other abrasive materials. See **detailed cleaning instructions.**
 - E. Discard decanter immediately if it is ever boiled dry.
 - F. Avoid sharp blows, scratches, or rough handling.
16. **WARNING:** To reduce the risk of fire or shock do not remove any service covers. No user serviceable parts inside. Repair should be done by authorized personnel only.

SAVE THESE INSTRUCTIONS

Special Cord Set Instructions

Regarding Your Cord Set:

1. The power supply cord set length provided has been selected to reduce the hazards resulting from becoming entangled in, or tripping over a longer cord set.
 2. Extension cords may be purchased and used if care is exercised in their use.
 3. If an extension cord is used, the marked electrical rating of the extension cord must be at least 120 volts and 9 amps. The resulting extended cord arranged so that it will not drape over the counter top or table top where it can be pulled on by children or tripped over accidentally.
- **This appliance has a polarized plug (one blade is larger than the other). As a safety feature, this plug will fit in a polarized outlet only one way. If the plug does not fully fit, contact a qualified electrician. Do not attempt to defeat this safety feature.**

Table Of Contents

	Page #
Important Safeguards	2
Cord Set Instructions	2
Installation	3-5
Setting the Clock and Timer	5-6
Before Using	6
Brewing Coffee	6
Automatic Shut Off	7
Cleaning Is A Must	7
Decanter Cleaning	7
Precautions	8
Helpful Hints	8
If Service Is Required	8
Limited Warranty	8

Installation Instructions

Introduction

This coffeemaker has been designed for either countertop or installation beneath a suitable cabinet.

COUNTERTOP USE

If you elect to use the coffeemaker as a countertop model, locate the slot covers found in the hardware bag. Snap the covers into the slots atop the coffeemaker on the left and right hand sides.

Rotate the vent knob in the rear of coffeemaker so that the arrow points up (vent closed).

The coffeemaker is ready for use. Do not restrict the airflow under the coffeemaker by placing a cloth beneath it.

Custom Installation

If you elect to install the coffeemaker beneath a wood or metal cabinet then follow these steps.

Where To Locate The Coffeemaker

1. Remove the brew funnel and glass decanter from the coffeemaker.
2. Hold the coffeemaker at various sites around the kitchen. Select a site which meets these requirements:
 - The cabinet itself must be level and properly installed. It must be at least 10 inches deep, 15% inches above the countertop, and have at least 1% inches clearance on each side of the coffeemaker (for bracket mouting and ventilation).
 - An electrical outlet must be within reach of a properly draped power cord.
 - The site must **not** be one over which you intend to operate another cooking or heat producing appliance, or is above a sink or stove or in front of undercabinet lighting.

Proceed when you have selected a suitable site.

Preparation For Installation

1. Clear off the countertop area below and adjacent to the chosen installation site. You will want plenty of free work room.
2. If necessary, clean the underside of the cabinet to remove any oily film.
3. Remove all cabinet contents above and adjacent to the site (you will be drilling through the cabinet bottom). Move contents away from the site. -- -- --
4. Collect the following needed tools:

Safety Glasses
Center Punch or Nail
Sandpaper
Metal File

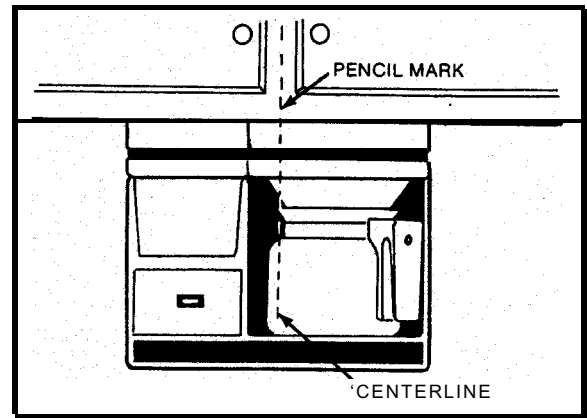
Drill and ¼ inch Drill Bit
Tape Measure or Ruler
Tape

Scissors
Pencil
Flat Blade Screwdriver

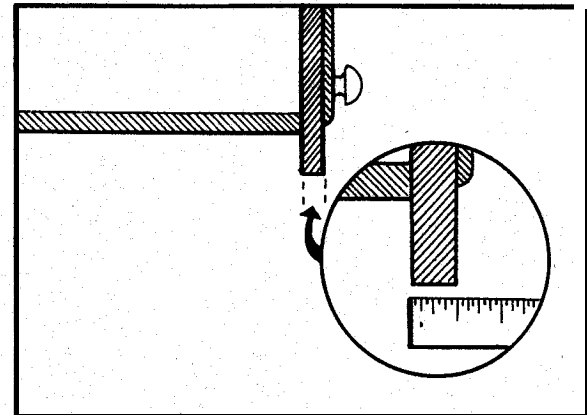
5. Read carefully the following instructions for installation. Familiarize yourself with the mounting hardware and procedure, before you begin actual installation.

Installing The Coffeemaker

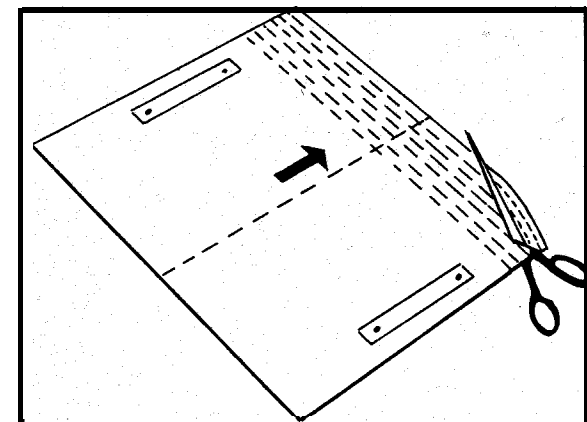
1. Hold the coffeemaker up to the installation site with the front face of the coffeemaker flush with the cabinet face. Visualize the coffeemaker centerline and then lightly pencil mark it on the cabinet (FIGURE A).
 2. Measure the depth of the cabinet OVERHANG, if any, and jot it down on the paper mounting template (FIGURE B). Double check your measurement.
 3. Study the paper mounting template. Note on it the graduated lines next to the line denoting the COFFEEMAKER FRONT.
 4. Find the line which corresponds to the depth of the cabinet OVERHANG -the number you jotted down on the template. Now, doublecheck that you have the correct line and then very carefully cut along this line (FIGURE C).
- NOTE:** If there is no overhang then cut along the line marked COFFEEMAKER FRONT.
5. Next, trial fit the trimmed template underneath the cabinet (FIGURE D). Orient it so that the trimmed edge butts against the inside face of the OVERHANG (or if no overhang, then is flush with the front edge of the cabinet). Align the dashed CENTERLINE of the template to your pencil mark on the cabinet.
 6. If no cabinet support rib interferes with the template placement then tape template into place **flat** against the cabinet bottom. If a rib does interfere then it will be necessary for you to cut away that section of the template at the rib and equal to the thickness of the rib.
 7. Put on safety glasses. Firmly mark the four drill hole locations shown, on the template with a centerpunch or nail, then remove template.
 8. Drill the four 1/4" mounting holes. Have firm control of the drill to prevent the bit from skating, and drill slowly straight upward.
 9. Drilling sometimes leaves rough edges on the holes. Carefully sand or file the edges smooth.
 10. Open the hardware package. Locate the 2 SUPPORT PLATES and place them inside the cabinet, flat side down, aligned over the drillholes. Insert a screw into each hole.
 11. Insert one nut into each bracket slot (FIGURE E). Position brackets beneath screws and tighten enough to leave some movement in the brackets for final adjustment.
 12. **Rotate the vent knob in the rear of the coffeemaker so that the arrow points down (vent open).**
 13. Gently push the coffeemaker fully up onto the brackets, aligning the brackets with the coffeemaker slots. The coffeemaker will lock into position.



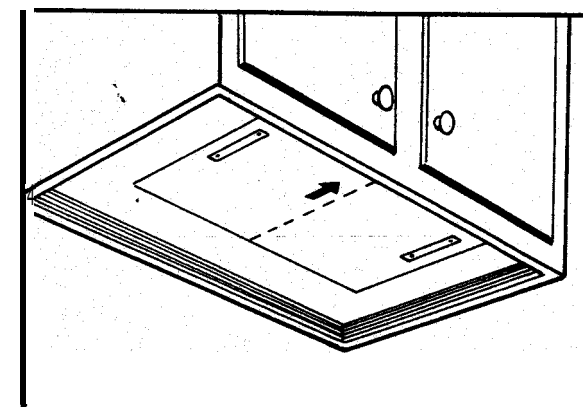
A.



B. Measure overhang depth.



C. Cut along line denoting your overhang depth.

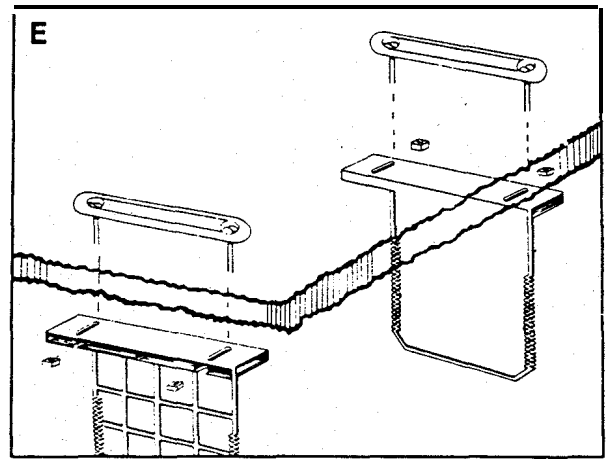


D. Bottom view

14. Finish tightening the screws.
15. Secure the power cord against the cabinet bottom or rear wall by using the two Adhesive-backed cord clips.

Removing The Coffeemaker

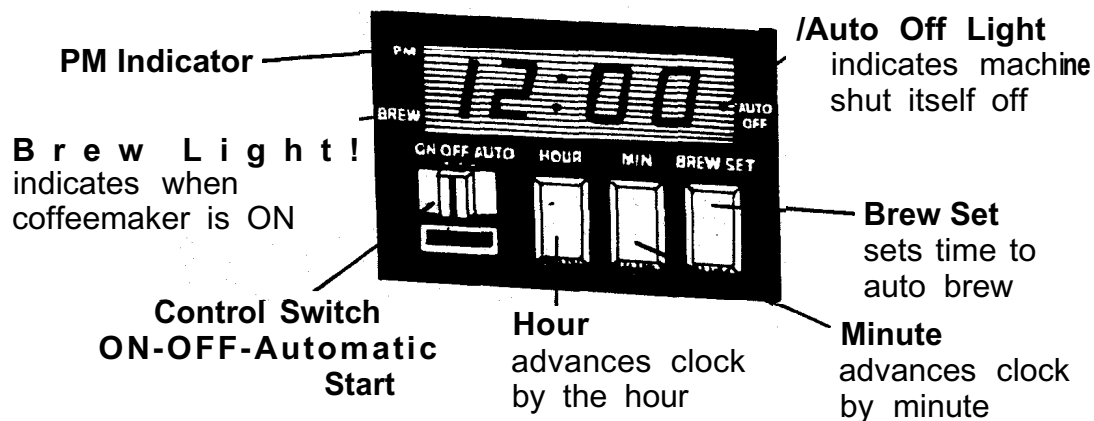
1. Remove the glass decanter and brew funnel. After use, allow the coffeemaker to cool completely.
2. Grasp the bottom left and right edges and depress the 2 BRACKET RELEASE BUTTONS. Lower the coffeemaker off the brackets.



IMPORTANT, THE CLOCK ON THIS MODEL MUST BE SET FIRST, BEFORE THE COFFEEMAKER WILL OPERATE. Please refer to setting the clock instructions, below.

Setting the Clock and Timer

The clock in this appliance includes an automatic brew start mode (AUTO) with a safety feature to prevent accidental turn-on the following day if it is mistakenly left in the AUTO mode from a previous use.



TO SET CLOCK.. .

1. Move the CONTROL SWITCH to OFF.
2. Plug the power cord into your electrical outlet. The display on the clock will flash until you set the time.
3. Alternately press and hold the HOUR and MINUTE buttons until you reach the current time. A red dot will appear in the upper left display corner for PM time.

TO PRE-SET THE BREWING TIME.. .

Press and hold the BREW SET button while pressing the HOUR and MINUTE buttons to set the desired brew starting time. Please pay attention to PM INDICATOR light.

TO AUTOMATICALLY BREW AT PRE-SET TIME.. .

1. Follow steps #1 through #6 in "How to-Brew Coffee".
2. Slide the control switch to OFF and then to AUTO.
3. Brewing will begin at the time you have preset and the coffee will remain hot in the decanter for 2 hours. If more keep warm time is needed, slide the switch to ON for an additional 2 hour keep warm time.

IMPORTANT To Reset Auto Brew at Pre-Set Time.. .

This coffeemaker will **NOT** automatically come on again the next day if you leave the switch in the AUTO position after its last use. This is a safety feature. Each time you choose to use auto brew you must slide the switch to OFF and then to AUTO.

To make sure Auto ~brew is set, check the auto off light. If the light is off, auto brew is set. If it is on, slide the switch to OFF and then to AUTO.

Before Using Your Mr. Coffee

Make sure your first cup of coffee is as good as can be by cleaning your Mr. Coffee coffeemaker before you use it the first time. Just follow these simple steps:

1. Wash the decanter, lid and brew funnel in a mixture of mild detergent and water. Rinse each thoroughly.
2. Set the clock. The clock on this model must be set first, before the coffeemaker will operate. See instructions for setting the clock.
3. Slide the brew funnel into place and then follow steps #4 through #7 in the "HOW TO BREW COFFEE" section. This will clean the inside of your coffeemaker.
4. When the brew cycle is finished, slide the control switch to off. Discard the water in the decanter and rinse the decanter and brew funnel.

Your coffeemaker is now ready to use.

How To Brew Coffee

If the display on the clock is flashing, the clock has not been set yet and the coffeemaker will not operate. See instructions for setting the clock.

1. Remove the brew funnel from beneath the top housing. Place one Mr. Coffee paper filter inside.
2. Place coffee into the paper filter according to the coffee measurement chart below.
3. Make sure the paper filter is in the proper position then slide the brew funnel back into position.
4. Fill the decanter with tap water to desired capacity as marked on the side of the decanter. (1 cup equals 5 ounces.) To brew 10 cups of coffee, fill the decanter to the bottom of the silver band.
5. The water fill door swings outward (see Figure -1). Pull door outward and slowly pour water into intake screen. Close the door.
6. Place empty decanter, with lid, onto warmer plate.
7. Slide the control switch to ON. When the coffee stops flowing, the brewing cycle is complete.
8. Discard the used grounds and filter. Rinse the brew funnel and slide it back into place.

Note: The warmer plate will keep your coffee piping hot for 2 hours and then, as a safety feature, the coffeemaker will shut off automatically. For an additional 2 hours of keep warm time, slide the control switch to OFF and then back to ON.

9. To make another pot of coffee, turn the coffeemaker off and repeat steps #1 through #8.
10. Be sure to turn the control switch off when the decanter is empty and you are no longer using your coffeemaker. Unplug the power cord when not in use for prolonged periods (this will also turn off the clock).

COFFEE MEASUREMENT CHART

For best results, use level tablespoons (ibis.) of drip grind or grind recommended for automatic drip coffeemakers.

To brew this much coffee:	Use this many tablespoons:
12 cups	11 level tbls.
10 cups	9 level tbls.
8 cups	7 level tbls.
6 cups	6 level tbls.
4 cups	5 level tbls.
2 cups	3 level tbls.

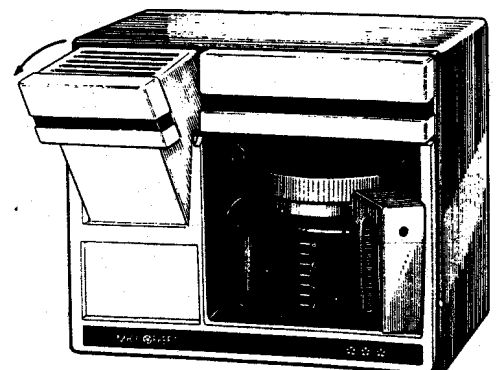


Figure 1

*Use more or less coffee to suit your taste.
2 level tablespoons = 1 coffee scoop.

Automatic Shut Off

- 1: Once your coffeemaker is on, the coffee in the decanter will stay hot for 2 **hours**. Then, as a safety feature, the coffeemaker will shut itself off.
2. You will know that your coffeemaker has automatically shut off when the red AUTO OFF LIGHT has appeared in the lower right hand corner of the clock display.
3. To keep your coffee hot for an additional 2 hours, slide the control switch to off and then back to on.
4. Move the control switch to off if you empty the decanter before the end of the 2 hour period.

Cleaning Is A Must

Your coffeemaker must be delimed when you begin to notice an increase in steaming. If the pumping action stops before all the water has been pumped out of the machine, then the appliance requires deliming.

The frequency of cleaning depends upon the hardness of water used. The following table gives the recommended cleaning intervals.

RECOMMENDED CLEANING SCHEDULE	
Type of Water	Cleaning Frequency
Soft water	every 100 brew cycles
Hard water	every 50 brew cycles

Your coffeemaker may be delimed by using MR. COFFEE CLEANER® or vinegar. For best results, use MR. COFFEE CLEANER. It works better than vinegar and has no unpleasant odor.

Using Mr. Coffee Cleaner:

(Read Caution Statement on Side Panel of Mr. Coffee Cleaner Box Before Use)

1. Fill the decanter with 4-5 cups of warm water.
2. Empty contents of one packet of MR. COFFEE CLEANER into the decanter and stir until the cleaner is completely dissolved. This will make a clear blue solution.
3. Pour the blue solution into the coffeemaker.
4. Place the empty decanter on the warming plate and slide the brew funnel into place. .
5. Turn your coffeemaker on.
6. When the blue solution has stopped flowing, turn your coffeemaker off.
7. Discard the blue solution and thoroughly rinse the decanter and brew funnel.
8. Repeat steps 1-7 with clean water only (no blue solution).
9. Continue to rinse out the unit until you see no trace of the blue solution.
10. If a normal brewing flow rate is not achieved, repeat the cleaning steps 1-9. Wash the decanter and lid and brew funnel with mild detergent and rinse before next use.

Using vinegar:

1. Pour 1 quart of undiluted white household vinegar into your coffeemaker.
2. Put a paper filter into the brew funnel. Slide the brew funnel back into place and place the empty decanter on the warming plate.
3. Turn the coffeemaker on. Watch the cup markings as the vinegar flows into the decanter. When three cups have flowed through, turn the coffeemaker off, and let stand for 1/2 hour.
4. After 1/2 hour, pour the 3 cups of vinegar back into the coffeemaker.
5. Place the empty decanter on the warming plate. Turn the coffeemaker on and let **all** of the vinegar flow through.
6. Turn the coffeemaker off and discard the-vinegar and the paper filter.
7. To flush out all traces of vinegar, fill the decanter with tap water and pour into the coffeemaker. Turn the coffeemaker on and allow the water to cycle through.
8. Turn the coffeemaker off. Discard the water and repeat step 7.

Decanter Cleaning

Hard water can leave a whitish mineral deposit inside the decanter. Coffee and tea discolor these deposits, sometimes leaving a brownish stain inside the decanter. To remove these stains, follow these simple steps:

1. Use a hot white vinegar solution and let it soak.
2. Let it stand for about 20 minutes and then discard.
3. Wash and rinse the decanter thoroughly using a soft cloth. Do not use harsh abrasive cleaners. These will cause scratches which can lead to breakage.

Precautions When Using This Machine

Do's.....

- Avoid areas of the coffeemaker which may become hot or emit steam when the machine is "on", particularly the brew funnel and the rear vent knob.
- Avoid jerking or straining the power cord when unplugging. Grasp the molded plug to unplug.
- Unplug the unit when not in use.
- Unplug the unit when wiping the exterior. Use only a damp cloth to wipe.

Don'ts.....

- Do NOT place a cloth or otherwise restrict airflow beneath the appliance.
- Never reheat a beverage by passing it through the brewing system.
- Do not use abrasive or caustic cleaning compounds to clean the exterior of the unit.
- Do not store the machine until warmer plate has cooled.

Helpful Hints

- Use only genuine Mr. Coffee filters for best brewing performance.
- The use of chemically softened water can inhibit proper filtration. This will affect the beverage flavor and will cause a long drip time from the steeping basket. Avoid using chemically softened water.

If Service Is Required

If service is required for your Mr. Coffee machine, please consult your listing of authorized service centers packed with your brewer.

Please do not return this appliance to your store.

For additional information regarding service, please call our Toll-Free Number: 1-800-321-0370

Ohio residents call: 1-800-362-7664

Our office hours are 8:30 AM - 5:00 PM Eastern Time Zone Monday thru Friday.

Please include Model Number UTC 403 in all communications.

Limited Warranty

Mr. Coffee, inc. warrants to the consumer that Mr. Coffee Automatic Coffee Brewer, Model UTC 403 Series (except for cord set and glass parts) are free from manufacturer defects in material or workmanship for a period of one year from the date of original purchase when used in compliance with directions as outlined in the manufacturer's instructions, which will constitute reasonable and necessary maintenance by the consumer.

In case of manufacturer defects in material or workmanship, Mr. Coffee, inc. agrees to repair (remedy) a defective coffee brewer without charge.

To be covered under this warranty, repairs must be made by the **authorized** Mr. Coffee Service Center most convenient to the consumer. A list of **authorized** Mr. Coffee Service Centers is enclosed. As the consumer, you assume all cost incurred in transporting your Mr. Coffee machine to the Authorized Mr. Coffee Service Center.

This warranty gives you specific legal rights, and you may also have other rights which vary from state to state. Any implied warranty is limited in duration to the one year provided in this, the only, expressed warranty. Some states do not allow limitations on how long an implied warranty lasts, so the above limitations may not apply to you.

No responsibility is assumed for incidental or consequential damages; nor damage due to misuse or the use of any unauthorized attachment; nor assumption of responsibility for damage by use of an unspecified electrical circuit. Some states do not allow the exclusion or limitation of incidental or consequential damages, so the above limitation or exclusion may not apply to you.

Warranty is void:

- If unit is subjected to service by anyone other than a service center appearing on the enclosed Authorized Mr. Coffee Service Center list.

Mr. Coffee, inc.
24700 Miles Road, Bedford Heights, Ohio 44146-1399